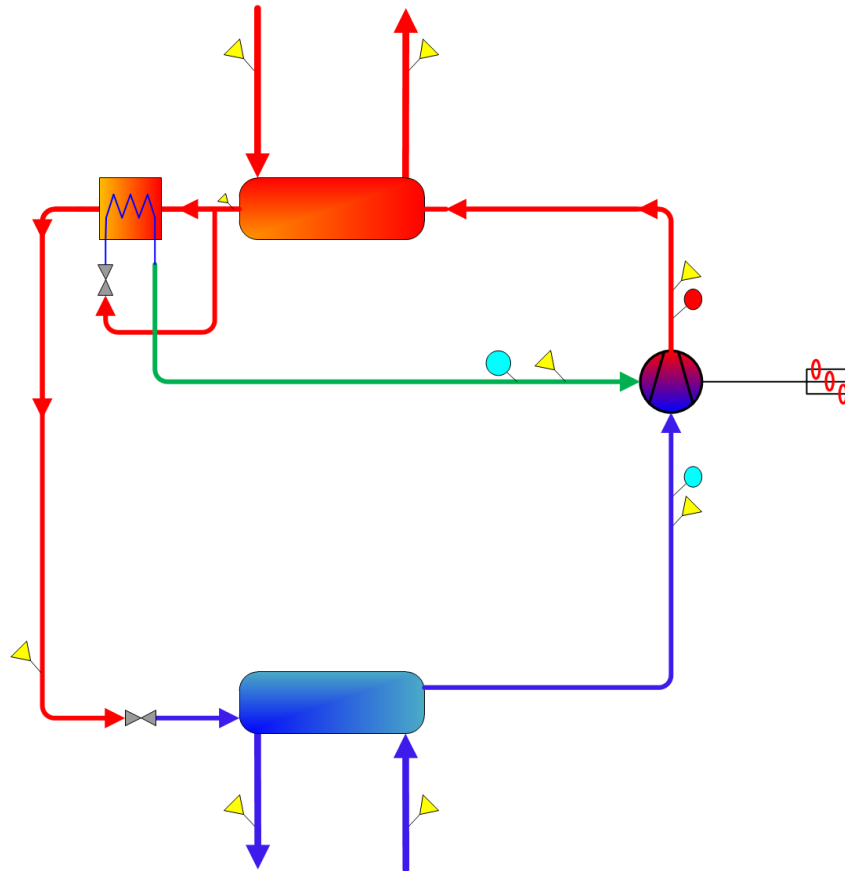


## 1 Circuit, economizer heat exchanger



### Equipment for this measurement:

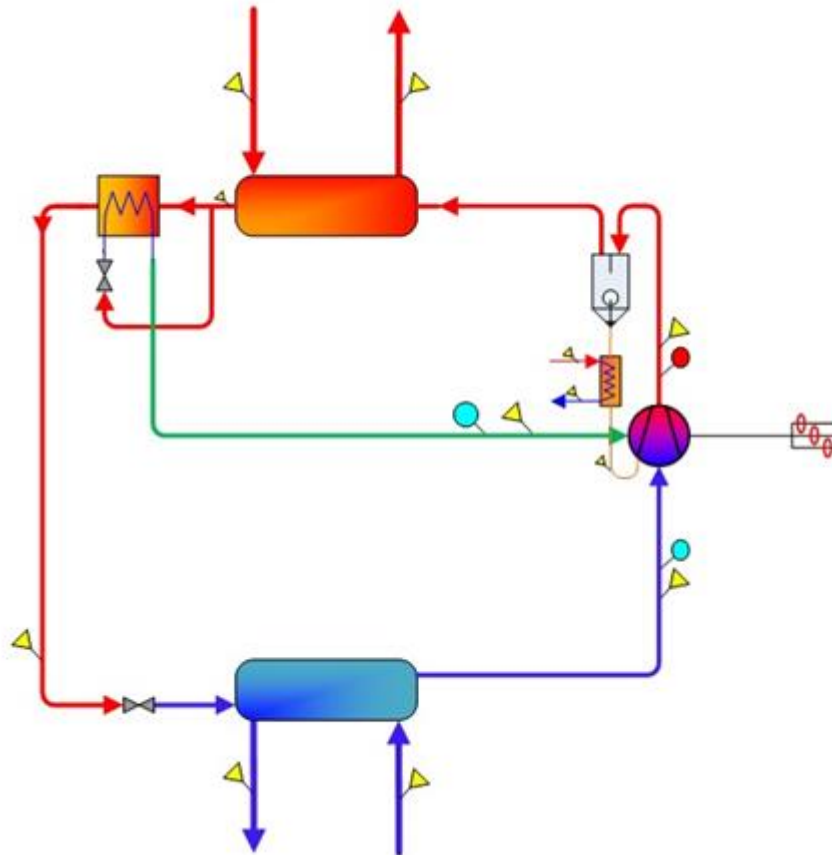
ClimaCheck onsite

Quantity	Part No.	Designation
<i>Necessary equipment</i>		
1	100 222	ClimaCheck PA Pro III onsite, 8 temp., 2 pressures
1	200 142	Pressure transmitter, 35 Bar, 1-5V
1	200 152	Pressure transmitter cable, DIN 5D, 3m
1	300 701	Temperature Sensor - 1-wire, 3m
1	800 321	Template, 1 circuit economizer heat exchanger

ClimaCheck online

Quantity	Part No.	Designation
<i>Necessary equipment</i>		
1	100 961	ClimaCheck PA Pro III online, 8 temp., 2 pressures
1	200 142	Pressure transmitter, 35 Bar, 1-5V
1	200 150	Pressure transmitter cable, free lead, 3m
1	300 700	Temperature Sensor - 1-wire, free lead, 3m
1	700 601	Special configuration of web service

## 1 circuit, economizer heat exchanger with oil cooler



### Equipment for this measurement:

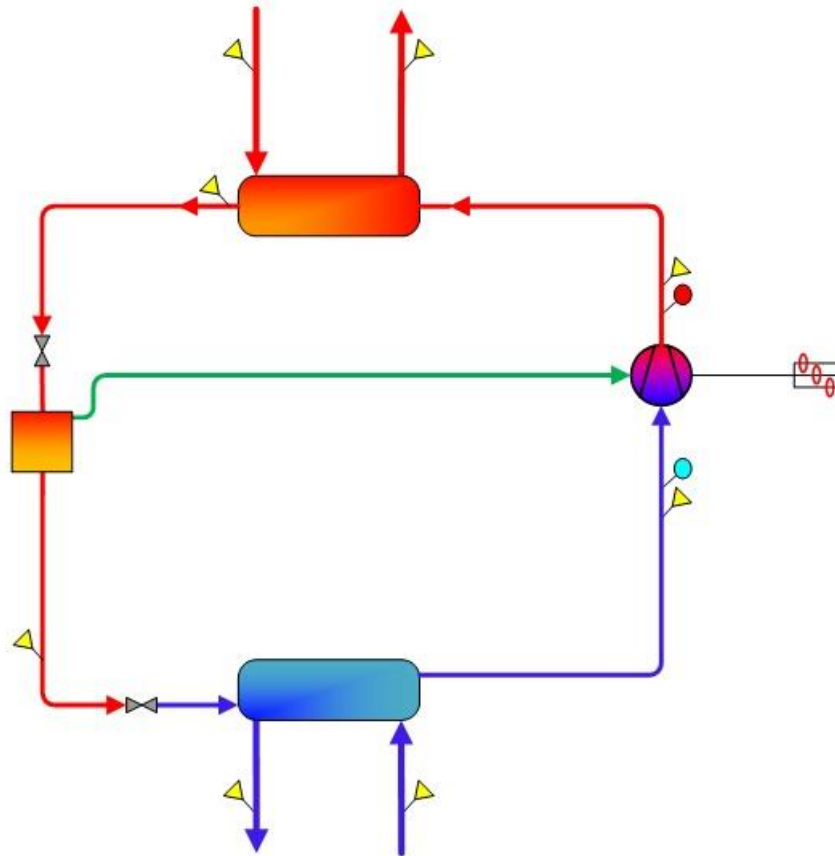
ClimaCheck *onsite*

Quantity	Part No.	Designation
<i>Necessary equipment</i>		
1	100 222	ClimaCheck PA Pro III <i>onsite</i> , 8 temp., 2 pressures
1	200 142	Pressure transmitter, 35 Bar, 1-5V
1	200 152	Pressure transmitter cable, DIN 5D, 3m
3	300 701	Temperature Sensor - 1-wire, 3m
1	800 330	Template, 1 circuit economizer heat exchanger with oil cooler

ClimaCheck *online*

Quantity	Part No.	Designation
<i>Necessary equipment</i>		
1	100 961	ClimaCheck PA Pro III <i>online</i> , 8 temp., 2 pressures
1	200 142	Pressure transmitter, 35 Bar, 1-5V
1	200 150	Pressure transmitter cable, free lead, 3m
3	300 700	Temperature Sensor - 1-wire, free lead, 3m
1	700 601	Special configuration of web service

## 1 Circuit, open economizer



### Equipment for this measurement:

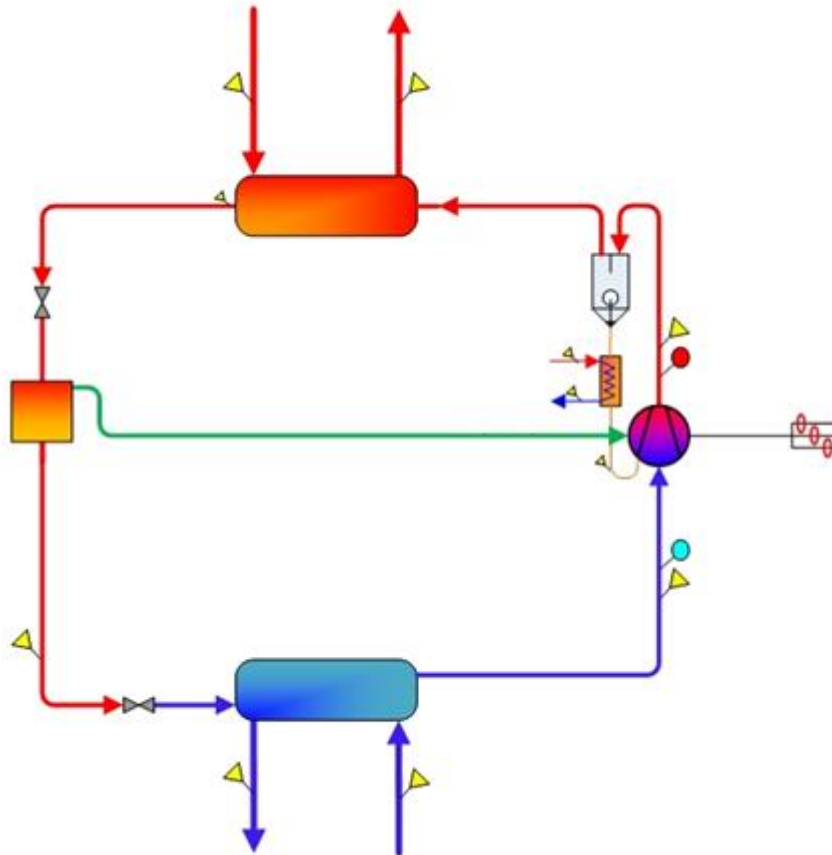
ClimaCheck *onsite*

Quantity	Part No.	Designation
<i>Necessary equipment</i>		
1	100 222	ClimaCheck PA Pro III <i>onsite</i> , 8 temp., 2 pressures
1	800 332	Template, 1 circuit open economizer

ClimaCheck *online*

Quantity	Part No.	Designation
<i>Necessary equipment</i>		
1	100 961	ClimaCheck PA Pro III <i>online</i> , 8 temp., 2 pressures
1	700 601	Special configuration of web service

## 1 Circuit, open economizer with oil cooler



### Equipment for this measurement:

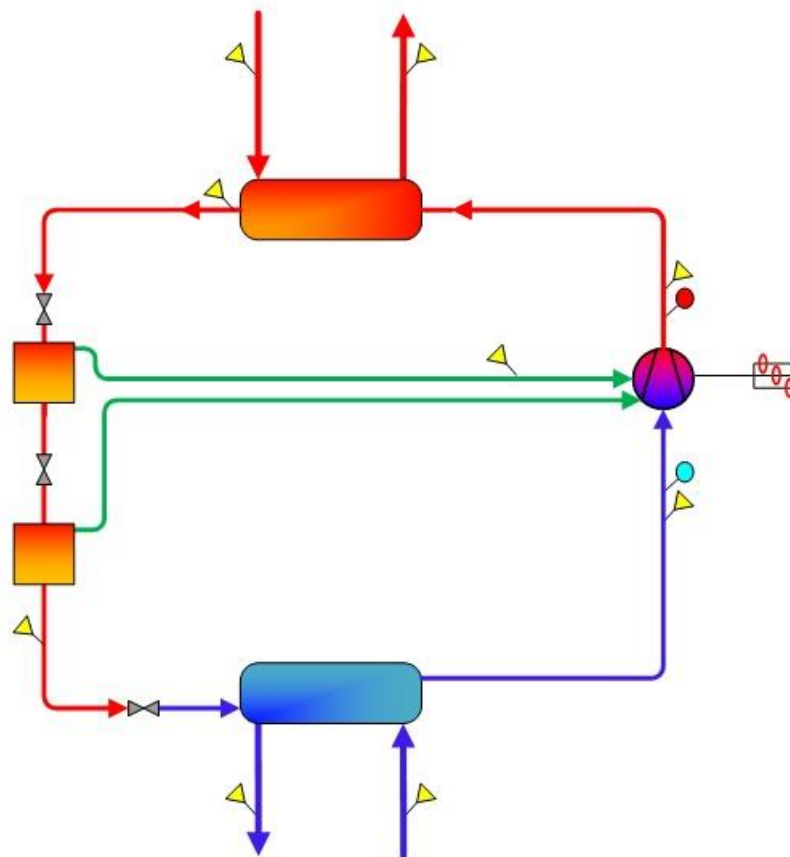
ClimaCheck *onsite*

Quantity	Part No.	Designation
<i>Necessary equipment</i>		
1	100 222	ClimaCheck PA Pro III <i>onsite</i> , 8 temp., 2 pressures
2	300 701	Temperature Sensor - 1-wire, 3m
1	800 331	Template, 1 circuit open economizer with oil cooler

ClimaCheck *online*

Quantity	Part No.	Designation
<i>Necessary equipment</i>		
1	100 961	ClimaCheck PA Pro III <i>online</i> , 8 temp., 2 pressures
2	300 700	Temperature Sensor - 1-wire, free lead, 3m
1	700 601	Special configuration of web service

## 1 circuit, 2 stage economizer



### Equipment for this measurement:

ClimaCheck *onsite*

Quantity	Part No.	Designation
<i>Necessary equipment</i>		
1	100 222	ClimaCheck PA Pro III <i>onsite</i> , 8 temp., 2 pressures
1	300 701	Temperature Sensor - 1-wire, 3m
1	800 334	Template, 1 circuit 2 stage economizer

ClimaCheck *online*

Quantity	Part No.	Designation
<i>Necessary equipment</i>		
1	100 961	ClimaCheck PA Pro III <i>online</i> , 8 temp., 2 pressures
1	300 700	Temperature Sensor - 1-wire, free lead, 3m
1	700 601	Special configuration of web service