

# HIGH PERFORMANCE CLAMP-ON CURRENT TRANSFORMER

## 150A EZ Clamp



DENT's affordable and compact 150A EZ Clamp current transformers are the one-handed operating solution for temporary or long-term studies. They are designed to work in tight places and clamp around insulated cables or wires.

DENT's energy monitoring components are used for a variety of applications, including building automation, tenant submetering, performance verification, energy management and new technology assessment.



KEY SPECIFICATIONS	
Window Size	1" (25 mm)
Current Range	.5 to 300A AC
Output	333 mV @ 150 A AC 2.22 mV/A AC
Accuracy	<1% From .5– 300 A AC
Phase Shift	<1° From 5-25 A AC 1° From 25-150 A AC <1.5° from 150-300 A AC

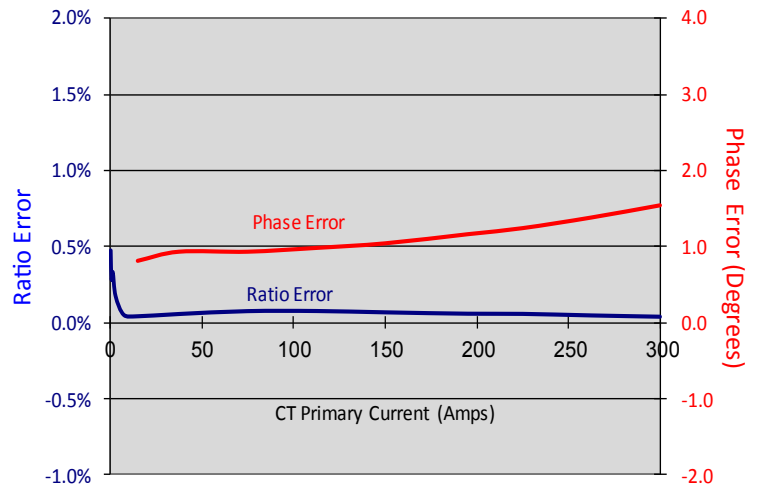
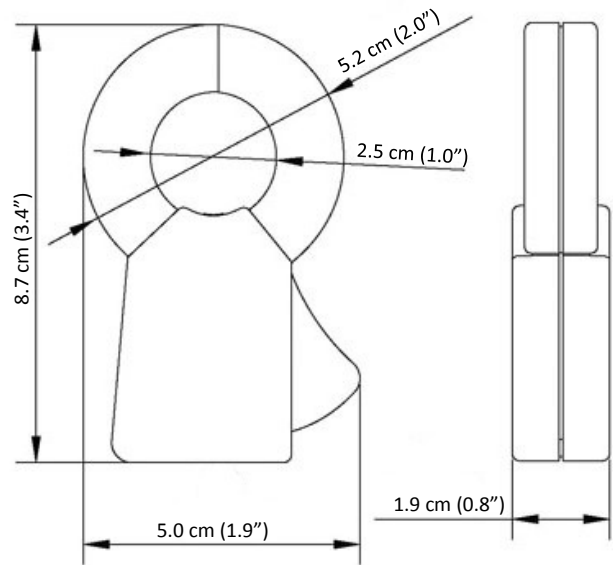
ELECTRICAL	
Max Output	666 mV @ 300 A
Wire Polarity	Red = High, positive (+) Black = Low, negative (-)
Phasing	Label on Case Points
Orientation	Toward Source
Frequency Range	50 Hz to 400 Hz

MECHANICAL	
Case Material	White ABS, UL 94 V-0
Leads	8' (2.4M), 22 gage, 600V
Working Temperature	-25° to 70 °C (-13° to 158 °F)

SAFETY	
Working Voltage	600 VAC Category III
Dielectric Strength	5200 VAC, 50/60 Hz for one minute
Certifications	Conforms to: UL STD 61010-1 Certified to: CAN/CSA STD C22.2 No. 61010-1



PART NUMBERS	
CT-CON-0150EZ-U	Crimp ferrules on leads
CT-CON-0150EZ-B	With Banana Plugs (for use with Legacy Weather-tight PRO-Series Instruments)



CONTACT US	
DENT Instruments, Inc. Energy & Power Measurement Solutions	925 SW EMKAY DR BEND, OREGON 97702 USA 541.388.4774   800.388.0770 WWW.DENTINSTRUMENTS.COM